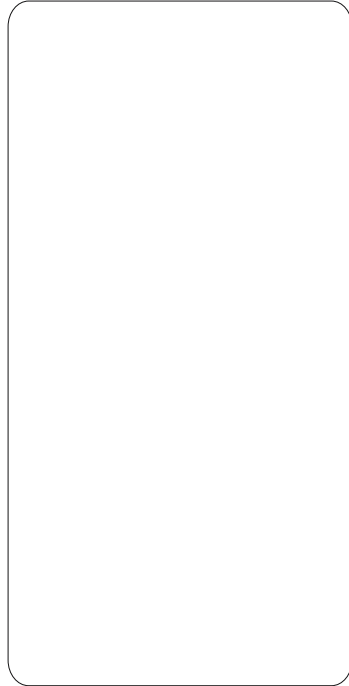


## The KS 45 controller in a nutshell

- Highly compact housing, only 22.5 mm/0.87" wide
- Plug-in screw terminals or spring-clamp connectors
- Max. 2 universal inputs with additional signal linking
- Universal output (current / voltage / logic + 2 relays)
- Optional 2 opto-coupler outputs + 1 relay
- High-precision universal control functions (2-point, 3-point, 3-point stepping, continuous)
- Timer and programmer
- Field-proven self-tuning feature
- Interface for PMA Tune: Tuning of control parameters for difficult loops
- Dual-line LCD: Process values always in view
- Simple, 3-key operation
- BluePort® for Engineering Tool
- RS 485 / MODBUS RTU interface
- Field bus connection via bus coupler
- Expanded I/O functions for O<sub>2</sub> measurement
- Fast scanning cycle 100 ms

**rail line**



- Please inform me about:
- Data sheet of Universal controller KS 45
  - Price list
  - Arrange a visit / give me a phone call
  - PMA product survey

Name \_\_\_\_\_

Company \_\_\_\_\_

Department \_\_\_\_\_

Street \_\_\_\_\_

Postal code, City \_\_\_\_\_

Phone \_\_\_\_\_

Fax \_\_\_\_\_

E-mail \_\_\_\_\_

PMA Prozeß- und Maschinen-Automation GmbH  
 Miramstraße 87  
 34123 Kassel/Germany  
 Tel./Fax: +49 (0) 561 505-1307 / -1661  
 E-mail: mailbox@pma-online.de  
 www.pma-online.de

G040221 02/2006

# Universal **rail line** Controller KS 45

Top-hat rail mounting reduces installation costs



The compact solution  
for distributed automation

Wir kriegen's geregelt  
Close the loop with PMA



# Compact

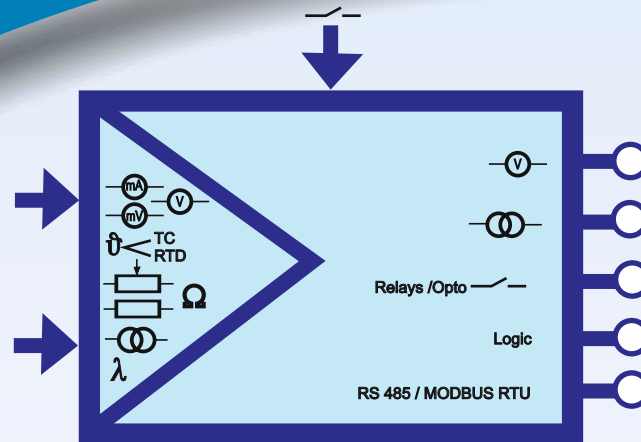
## Universal controller KS 45



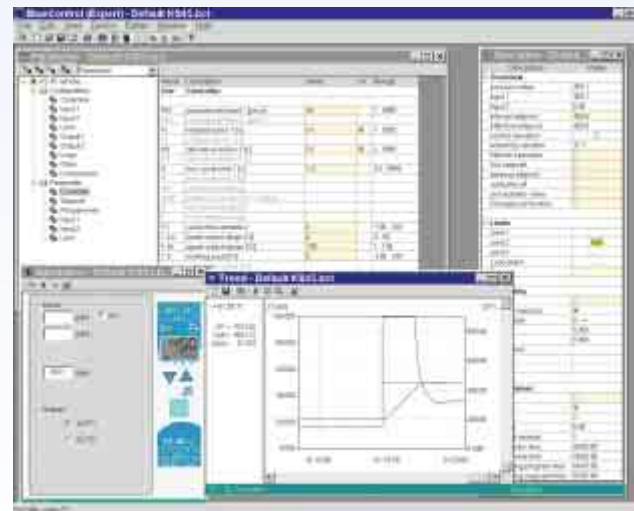
- Local operation
- Display of process value and setpoint
- Auto / Manual function
- Selectable controller functions
- Starting the timer / programmer
- Three selectable monitoring functions
- Heating current monitor
- Maintenance manager

# Multi-functional

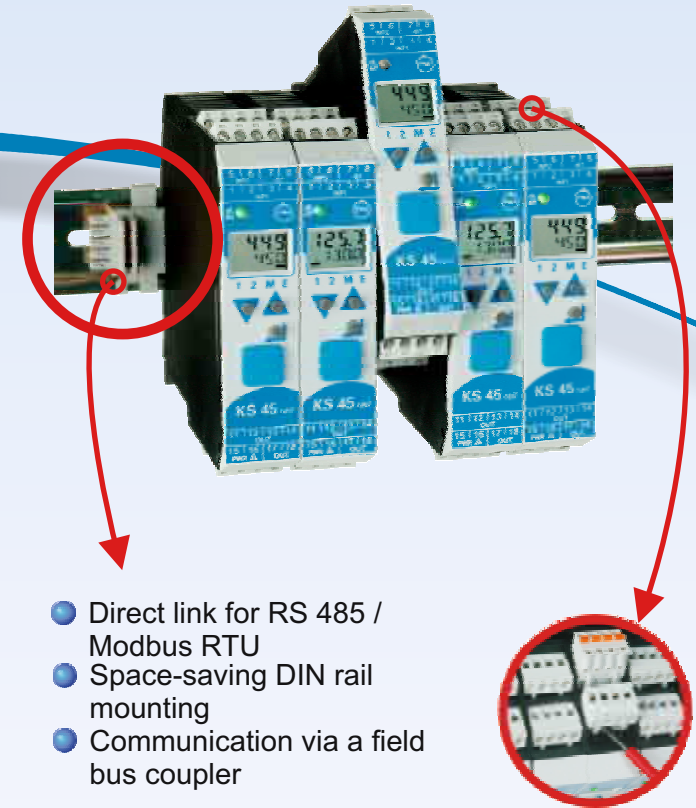
- Multiple input/output functions
- Controller function: 2-point, 3-point, 3-point stepping, continuous
- Integrated self-tuning feature
- PMA Tune connected via BluePort®



- Highly efficient engineering with BlueControl®
- Trend recording
- Simulation with selectable process loop models



# Flexible



- Direct link for RS 485 / Modbus RTU
- Space-saving DIN rail mounting
- Communication via a field bus coupler

- Plug-in screw terminals or spring-clamp connectors

***rail line***